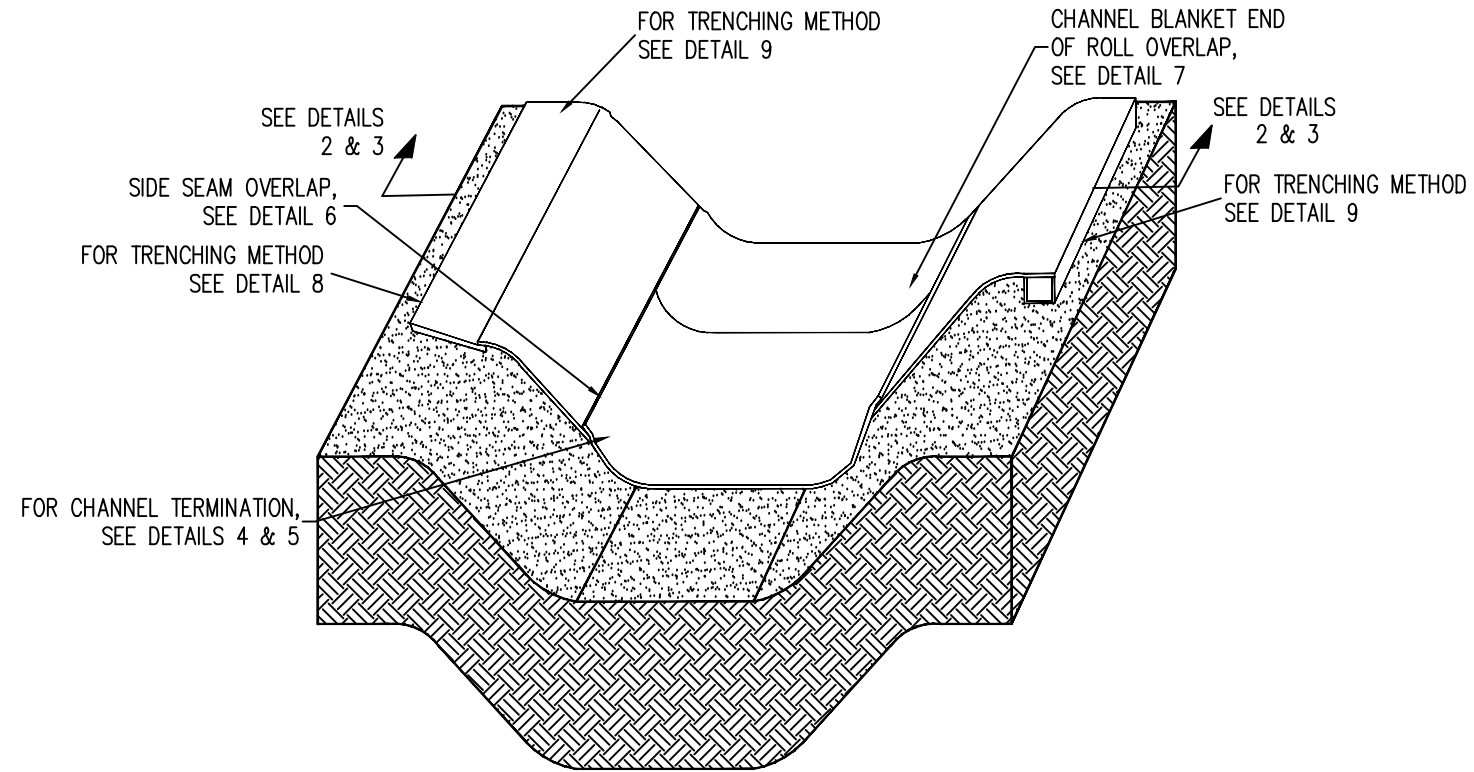
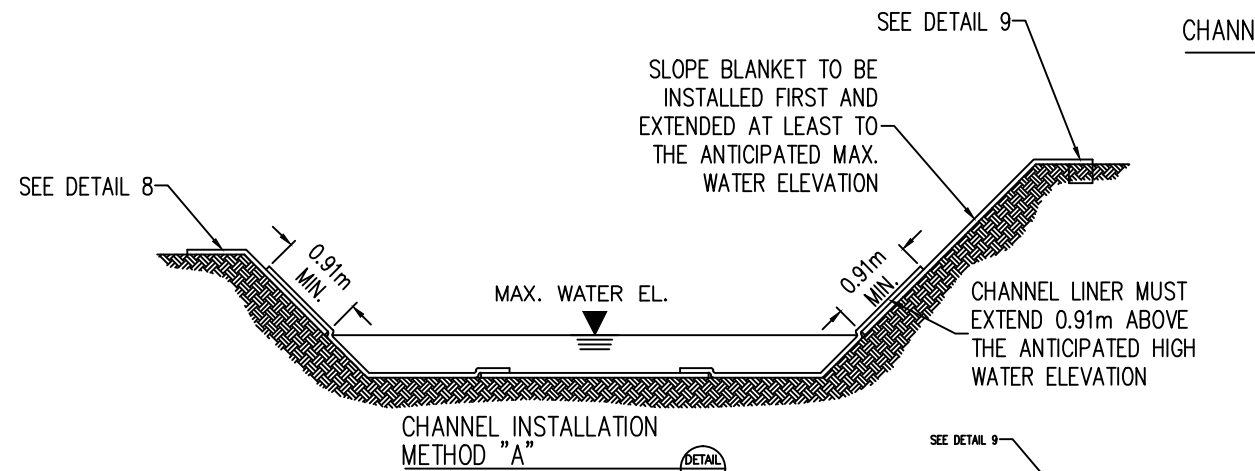


**NOTES**

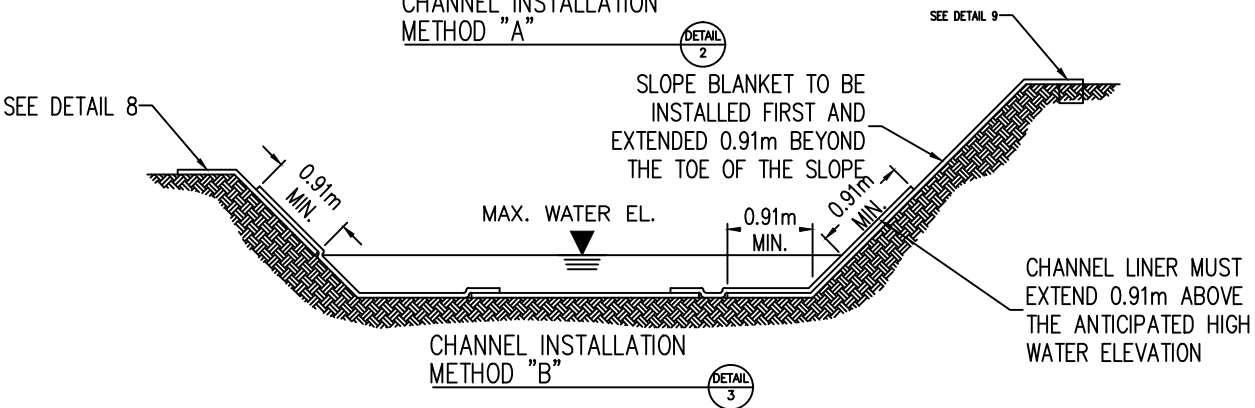
1. NOT TO SCALE.
2. ALL DIMENSIONS ARE IN METERS OR UNLESS OTHERWISE SHOWN.
3. STAPLE PATTERNS ARE DEPENDENT ON SITE CONDITIONS, SEE STAPLE PATTERN GUIDE FOR DETAILS.



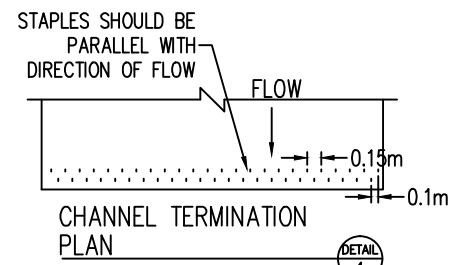
CHANNEL DETAIL DETAIL 1



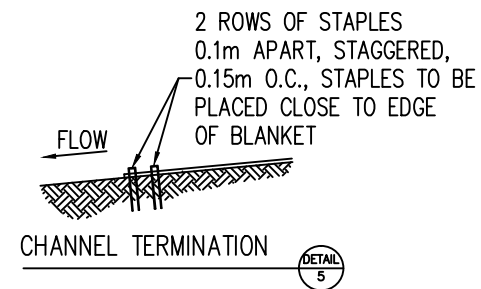
CHANNEL INSTALLATION METHOD "A" DETAIL 2



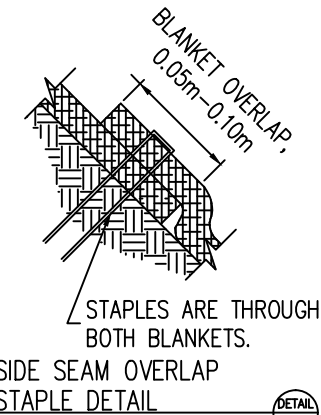
CHANNEL INSTALLATION METHOD "B" DETAIL 3



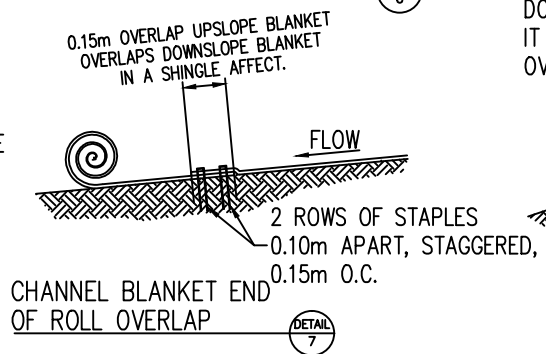
CHANNEL TERMINATION PLAN DETAIL 4



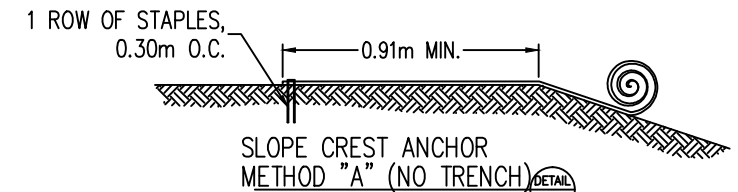
CHANNEL TERMINATION DETAIL 5



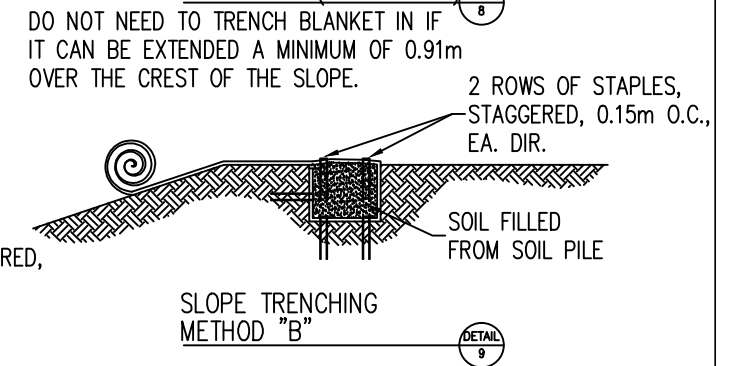
SIDE SEAM OVERLAP STAPLE DETAIL DETAIL 6



CHANNEL BLANKET END OF ROLL OVERLAP DETAIL 7



SLOPE CREST ANCHOR METHOD "A" (NO TRENCH) DETAIL 8



SLOPE TRENCHING METHOD "B" DETAIL 9

COPYRIGHT 2014, TERRAFIX GEOSYNTHETICS INC.

**terrafix**  
geosynthetics inc.

455 Horner Avenue  
Toronto, Ontario  
M8W 4W9  
Tel: (416) 674-0363

REVISIONS \ ISSUE

NO.	DESCRIPTION	DATE

Project Number

Date Drawn  
07/18/2014

Scale  
N.T.S.

Designed by

Drawn by

Checked by

**W300**  
**WOOD 300 - DOUBLE NET**

TYPICAL CHANNEL APPLICATION DETAIL

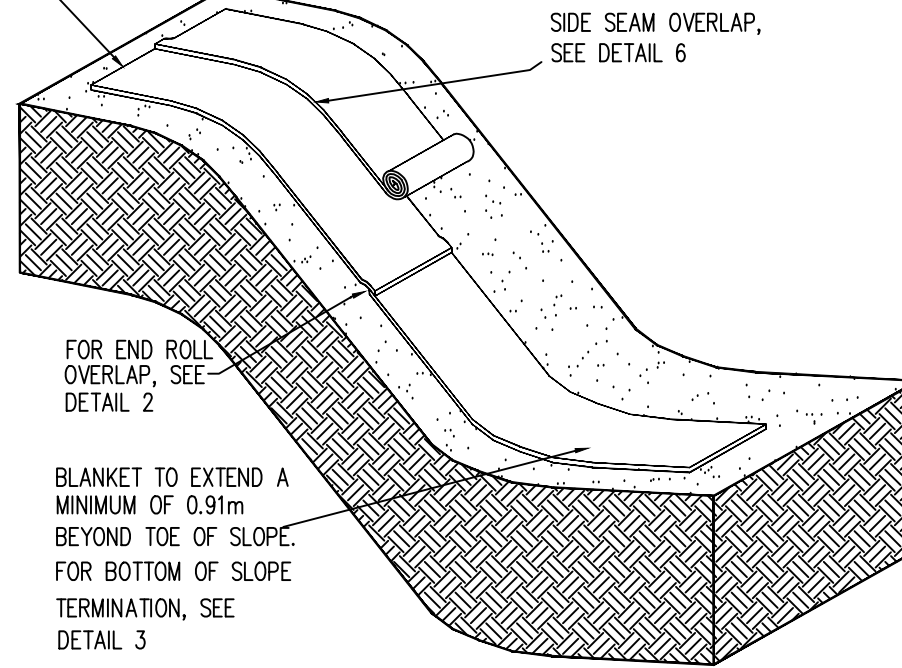
Sheet Number

1 OF 1

**NOTES**

1. NOT TO SCALE.
2. ALL DIMENSIONS ARE IN METERS OR UNLESS OTHERWISE SHOWN.
3. STAPLE PATTERNS ARE DEPENDENT ON SITE CONDITIONS, SEE STAPLE PATTERN GUIDE FOR DETAILS.

EXTEND BLANKET A MINIMUM OF 0.91m OVER CREST OF SLOPE, SEE DETAIL 4. TRENCHING NEEDED IF A MINIMUM OF 0.91m IS NOT AVAILABLE AT THE CREST OF SLOPE OR IF OVERLAND FLOW IS ANTICIPATED FROM UPLAND SEE DETAIL 5



SLOPE DETAIL

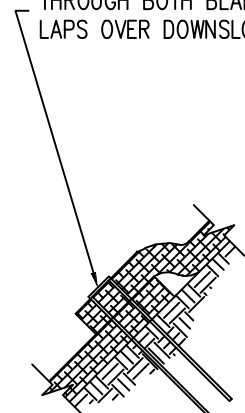
DETAIL 1

END SEAM OF BLANKETS OVERLAP 0.05m-0.10m. PLACE STAPLES, ONE ON EACH CORNER OF BLANKET, 0.31m O.C. ALONG BLANKET END THROUGH BOTH BLANKETS. UPSLOPE BLANKET LAPS OVER DOWNSLOPE BLANKETS IN A SHINGLE AFFECT.

STAPLE 0.31m O.C. ALONG BLANKET AT SLOPE CHANGE

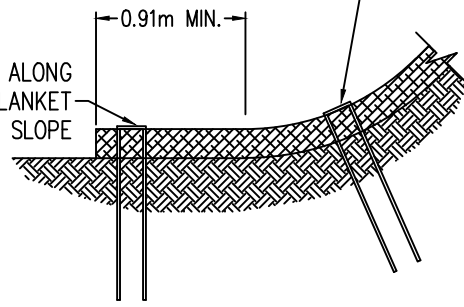
STAPLE 0.31m O.C. ALONG BOTTOM OF BLANKET AT THE END OF SLOPE

0.91m MIN.



END ROLL OVERLAP

DETAIL 2



BOTTOM OF SLOPE TERMINATION

DETAIL 3

1 ROW OF STAPLES, 0.3m O.C.

0.91m MIN.



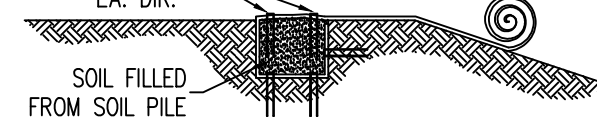
SLOPE CREST ANCHOR METHOD "A" (NO TRENCH)

DETAIL 4

DO NOT NEED TO TRENCH BLANKET IN IF IT CAN BE EXTENDED A MINIMUM OF 0.91m OVER THE CREST OF THE SLOPE.

2 ROWS OF STAPLES, STAGGERED, 0.15m O.C., EA. DIR.

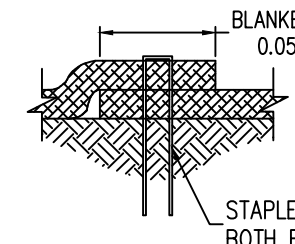
SOIL FILLED FROM SOIL PILE



SLOPE TRENCHING METHOD "B"

DETAIL 5

BLANKET OVERLAP, 0.05m-0.10m



SIDE SEAM OVERLAP STAPLE DETAIL

DETAIL 6

STAPLES ARE THROUGH BOTH BLANKETS.

REVISIONS \ ISSUE

NO.	DESCRIPTION	DATE

Project Number

Date Drawn  
07/18/2014

Scale  
N.T.S.

Designed by

Drawn by

Checked by