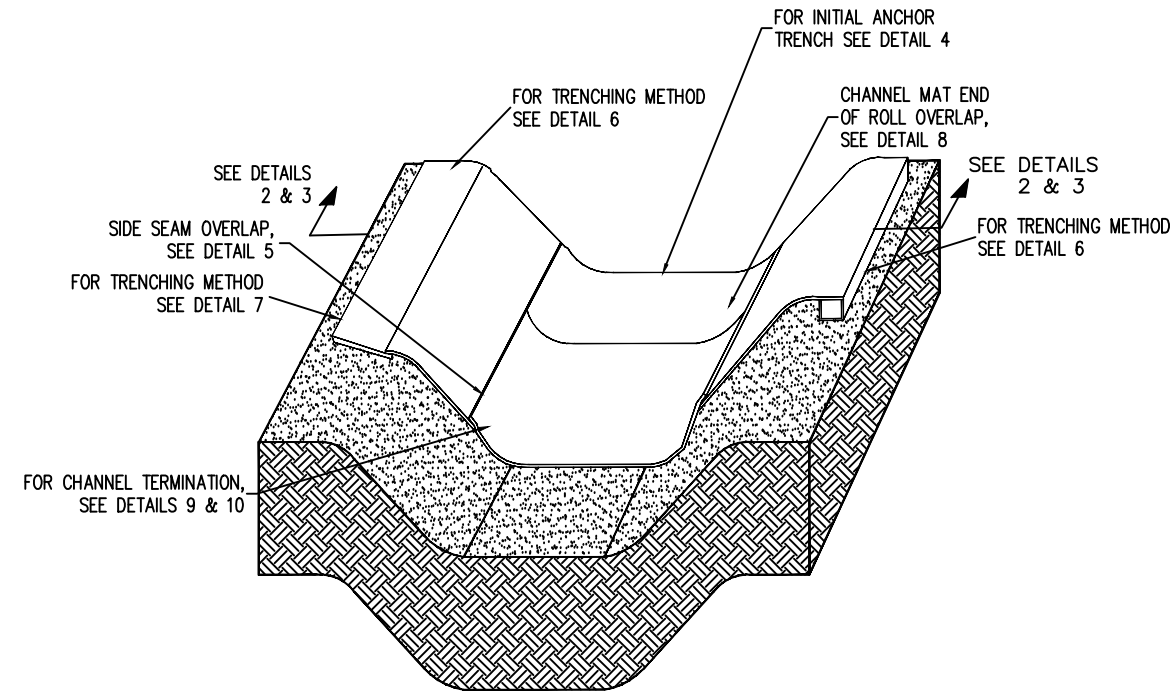
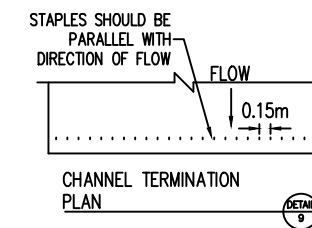
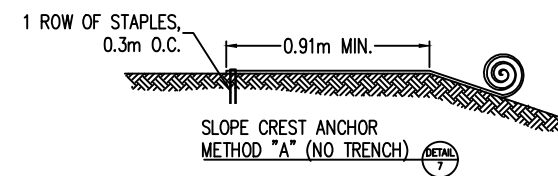
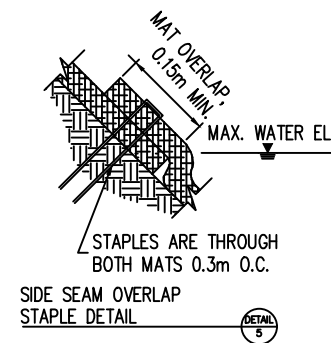
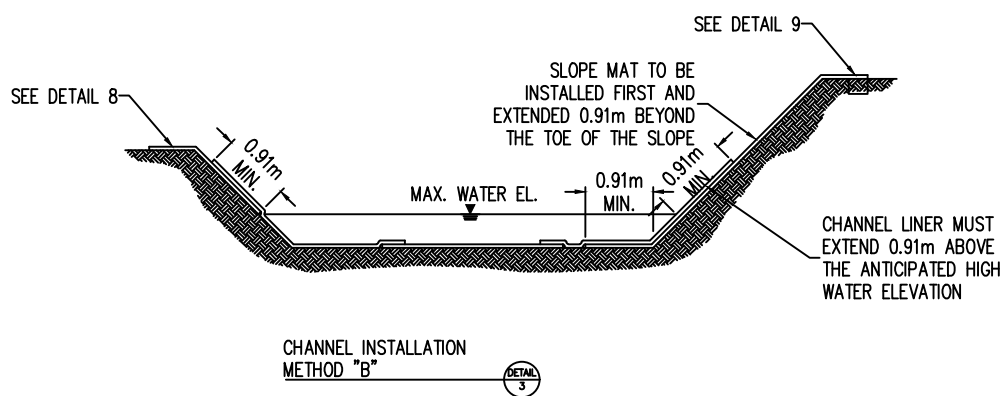
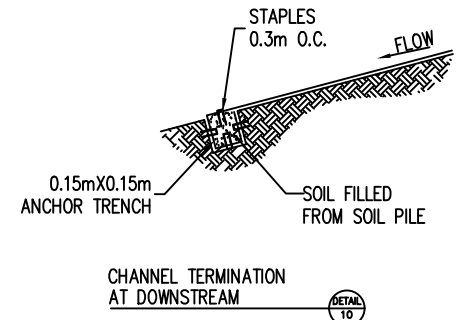
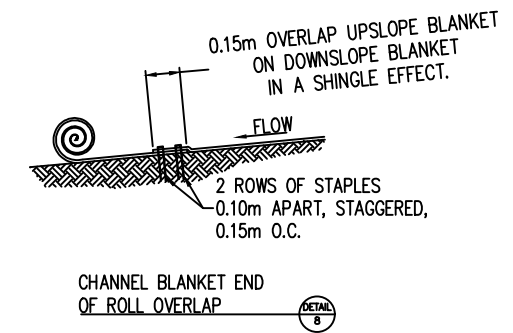
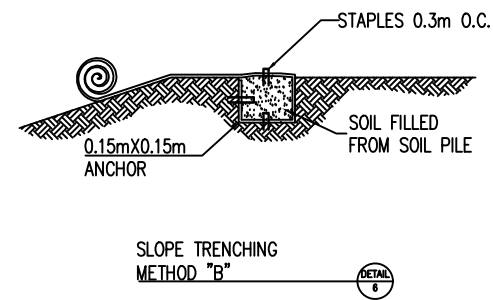
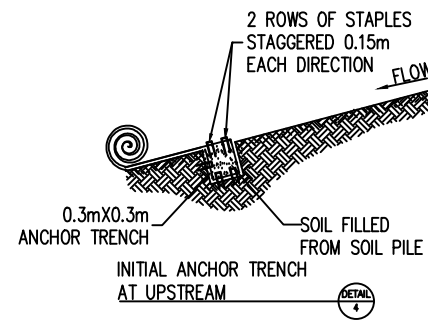
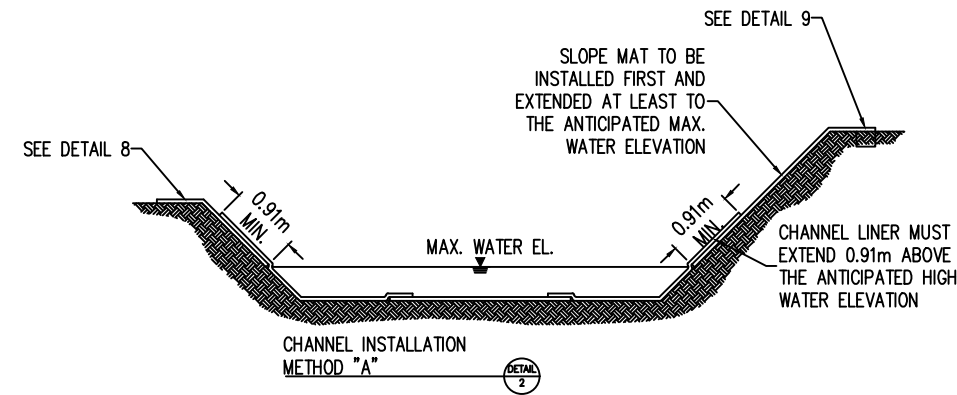


**NOTES**

1. NOT TO SCALE.
2. ALL DIMENSIONS ARE IN METERS OR UNLESS OTHERWISE SHOWN.
3. STAPLE PATTERNS ARE DEPENDENT ON SITE CONDITIONS, SEE STAPLE PATTERN GUIDE FOR DETAILS.



CHANNEL DETAIL DETAIL 1



DO NOT NEED TO TRENCH MAT IN IF IT CAN BE EXTENDED A MINIMUM OF 0.91m OVER THE CREST OF THE SLOPE.

COPYRIGHT 2016, TERRAFIX GEOSYNTHETICS INC.

**terrafix**  
geosynthetics inc.

455 Horner Avenue  
Toronto, Ontario  
M8W 4W9  
Tel:(416) 674-0363

REVISIONS \ ISSUE

NO.	DESCRIPTION	DATE

Project Number  
Date Drawn 06/13/2016  
Scale N.T.S.  
Designed by  
Drawn by  
Checked by

COIR MAT

TYPICAL CHANNEL APPLICATION DETAIL

Sheet Number  
**1 OF 1**