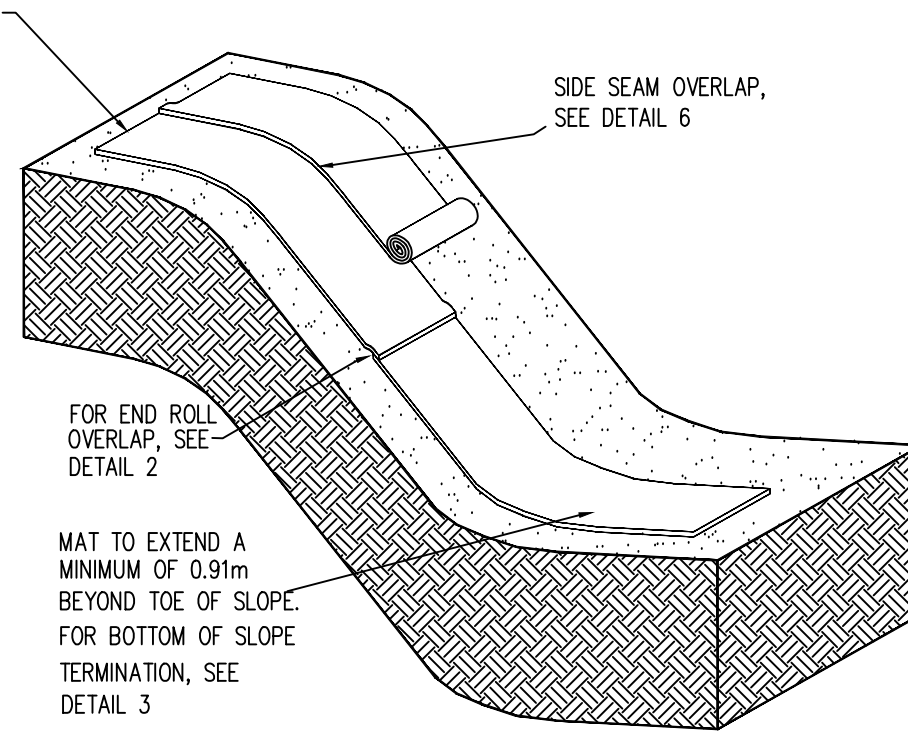


NOTES

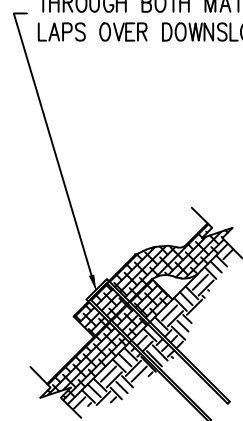
1. NOT TO SCALE.
2. ALL DIMENSIONS ARE IN METERS OR UNLESS OTHERWISE SHOWN.
3. STAPLE PATTERNS ARE DEPENDENT ON SITE CONDITIONS, SEE STAPLE PATTERN GUIDE FOR DETAILS.

EXTEND MAT A MINIMUM OF 0.91m OVER CREST OF SLOPE, SEE DETAIL 4. TRENCHING NEEDED IF A MINIMUM OF 0.91m IS NOT AVAILABLE AT THE CREST OF SLOPE OR IF OVERLAND FLOW IS ANTICIPATED FROM UPLAND SEE DETAIL 5



SLOPE DETAIL DETAIL 1

END SEAM OF MAT OVERLAP 0.3m
PLACE STAPLES, ONE ON EACH CORNER OF BLANKET, 0.15m O.C. ALONG MAT END THROUGH BOTH MATS. UPSLOPE MAT LAPS OVER DOWNSLOPE MATS IN A SHINGLE AFFECT.

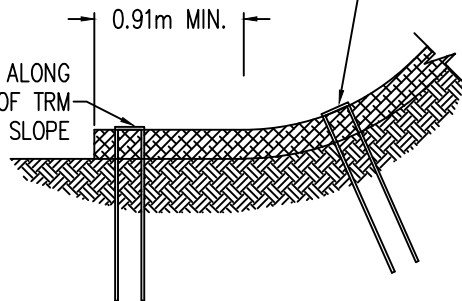


END ROLL OVERLAP DETAIL 2

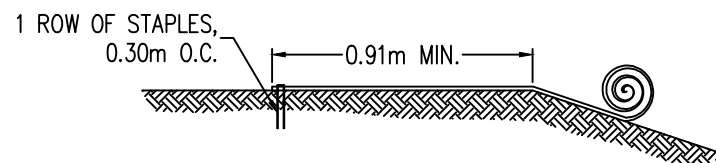
STAPLE 0.31m O.C. ALONG BOTTOM OF TRM AT THE END OF SLOPE

0.91m MIN.

STAPLE 0.31m O.C. ALONG MAT AT SLOPE CHANGE



BOTTOM OF SLOPE TERMINATION DETAIL 3

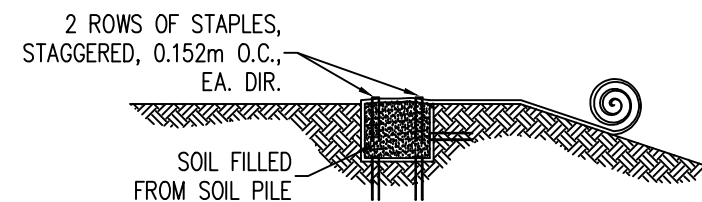


1 ROW OF STAPLES, 0.30m O.C.

0.91m MIN.

SLOPE CREST ANCHOR METHOD "A" (NO TRENCH) DETAIL 4

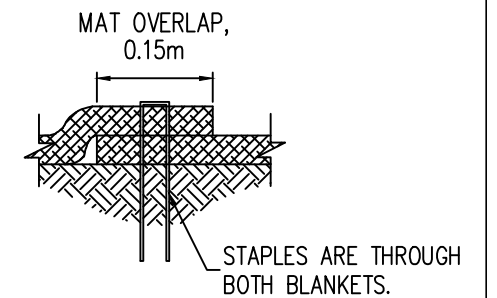
DO NOT NEED TO TRENCH MAT IN IF IT CAN BE EXTENDED A MINIMUM OF 0.91m OVER THE CREST OF THE SLOPE.



2 ROWS OF STAPLES, STAGGERED, 0.152m O.C., EA. DIR.

SOIL FILLED FROM SOIL PILE

SLOPE TRENCHING METHOD "B" DETAIL 5



MAT OVERLAP, 0.15m

STAPLES ARE THROUGH BOTH BLANKETS.

SIDE SEAM OVERLAP STAPLE DETAIL DETAIL 6

REVISIONS \ ISSUE

NO.	REVISIONS \ ISSUE

Project Number
Date Drawn 06/13/2016
Scale N.T.S.
Designed by
Drawn by
Checked by

COIR MAT