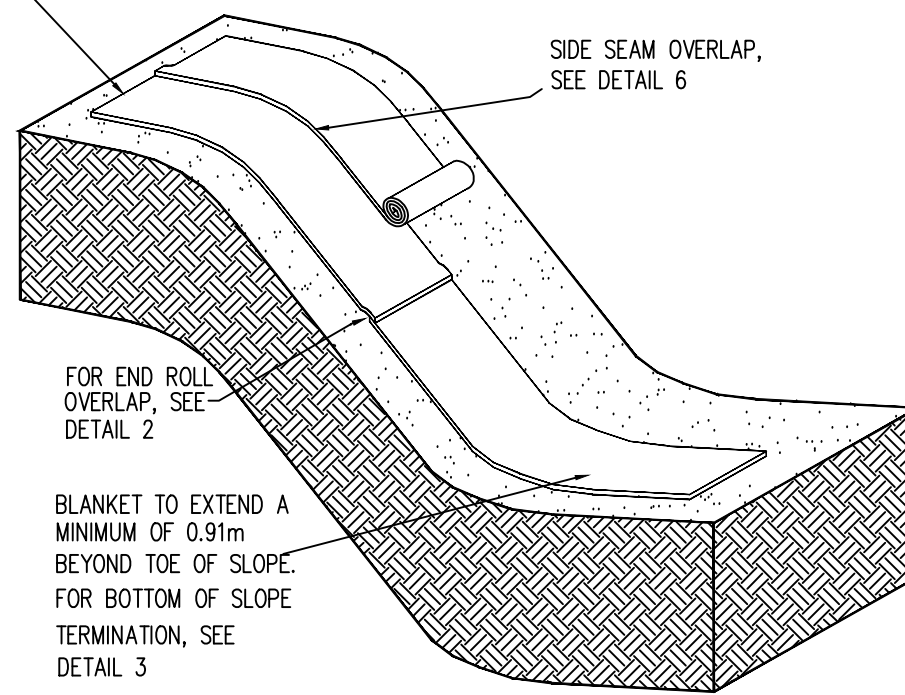


NOTES

1. NOT TO SCALE.
2. ALL DIMENSIONS ARE IN METERS OR UNLESS OTHERWISE SHOWN.
3. STAPLE PATTERNS ARE DEPENDENT ON SITE CONDITIONS, SEE STAPLE PATTERN GUIDE FOR DETAILS.

EXTEND BLANKET A MINIMUM OF 0.91m OVER CREST OF SLOPE, SEE DETAIL 4. TRENCHING NEEDED IF A MINIMUM OF 0.91m IS NOT AVAILABLE AT THE CREST OF SLOPE OR IF OVERLAND FLOW IS ANTICIPATED FROM UPLAND SEE DETAIL 5



SLOPE DETAIL

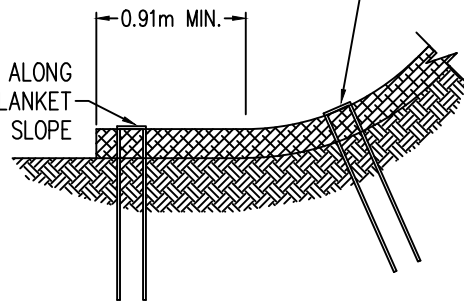
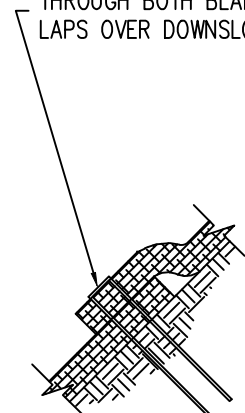
DETAIL 1

END SEAM OF BLANKETS OVERLAP 0.05m-0.10m. PLACE STAPLES, ONE ON EACH CORNER OF BLANKET, 0.31m O.C. ALONG BLANKET END THROUGH BOTH BLANKETS. UPSLOPE BLANKET LAPS OVER DOWNSLOPE BLANKETS IN A SHINGLE AFFECT.

STAPLE 0.31m O.C. ALONG BLANKET AT SLOPE CHANGE

STAPLE 0.31m O.C. ALONG BOTTOM OF BLANKET AT THE END OF SLOPE

0.91m MIN.



1 ROW OF STAPLES, 0.3m O.C.

0.91m MIN.

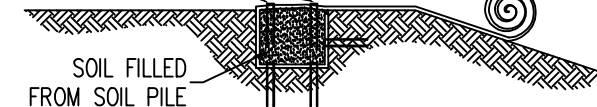


SLOPE CREST ANCHOR METHOD "A" (NO TRENCH)

DETAIL 4

2 ROWS OF STAPLES, STAGGERED, 0.15m O.C., EA. DIR.

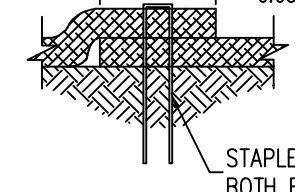
SOIL FILLED FROM SOIL PILE



SLOPE TRENCHING METHOD "B"

DETAIL 5

BLANKET OVERLAP, 0.05m-0.10m



STAPLES ARE THROUGH BOTH BLANKETS.

SIDE SEAM OVERLAP STAPLE DETAIL

DETAIL 6

DO NOT NEED TO TRENCH BLANKET IN IF IT CAN BE EXTENDED A MINIMUM OF 0.91m OVER THE CREST OF THE SLOPE.

COPYRIGHT 2014, TERRAFIX GEOSYNTHETICS INC.

terrafix
geosynthetics inc.

455 Horner Avenue
Toronto, Ontario
M8W 4W9
Tel:(416) 674-0363

REVISIONS \ ISSUE

NO.	DESCRIPTION	DATE

Project Number

Date Drawn
07/18/2014

Scale
N.T.S.

Designed by

Drawn by

Checked by

SC200 B

STRAWCOCONUT - DOUBLE NET - BIODEGRADABLE

TYPICAL SLOPE APPLICATION DETAIL

Sheet Number

1 OF 1