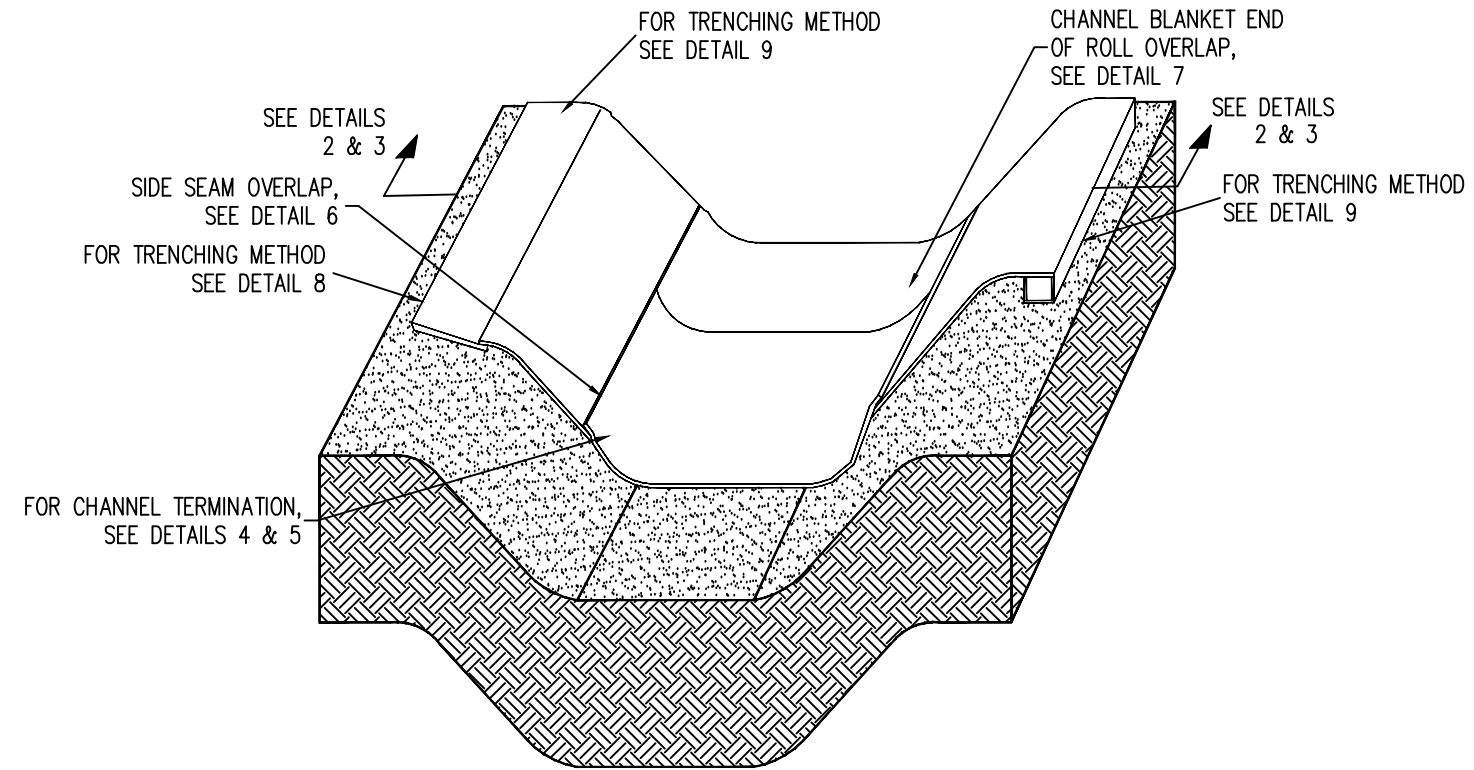
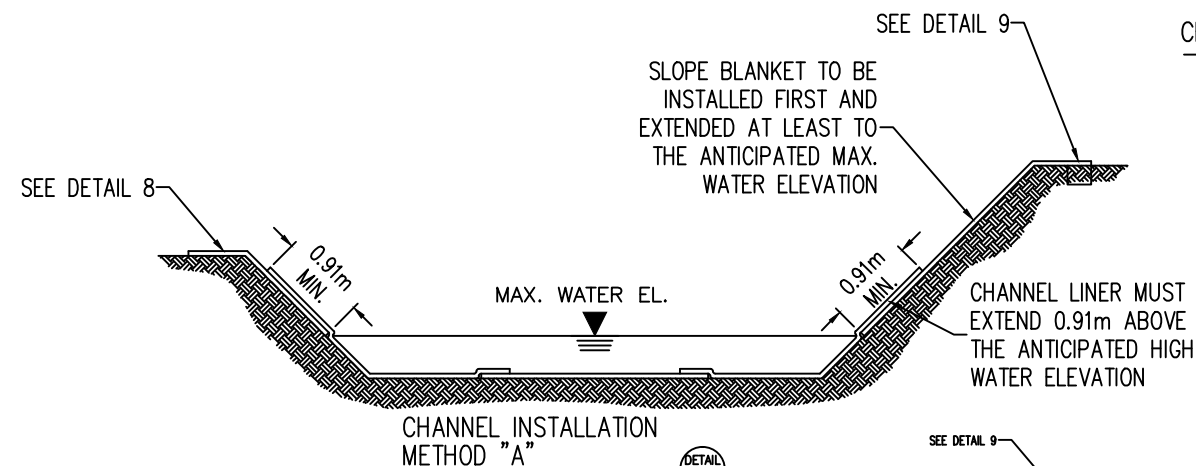


NOTES

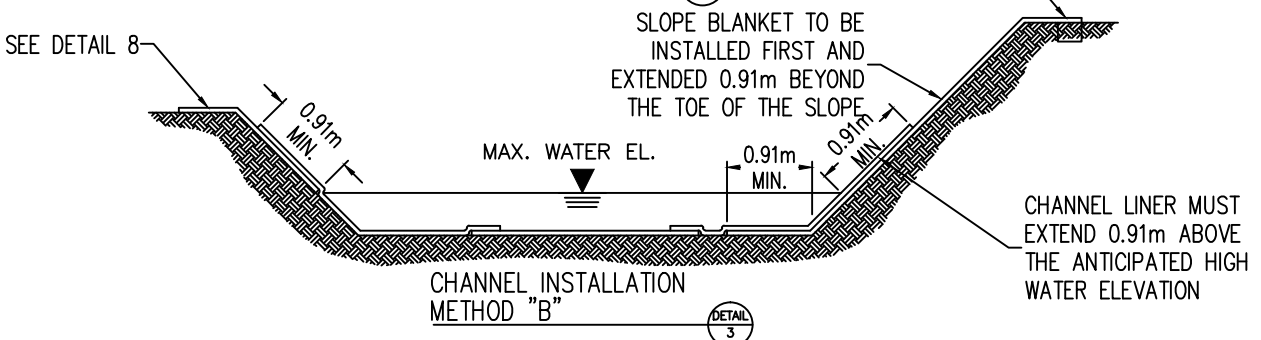
1. NOT TO SCALE.
2. ALL DIMENSIONS ARE IN METERS OR UNLESS OTHERWISE SHOWN.
3. STAPLE PATTERNS ARE DEPENDENT ON SITE CONDITIONS. SEE STAPLE PATTERN GUIDE FOR DETAILS.



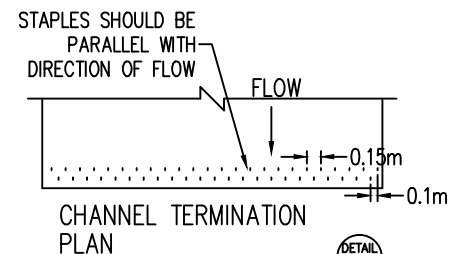
CHANNEL DETAIL (DETAIL 1)



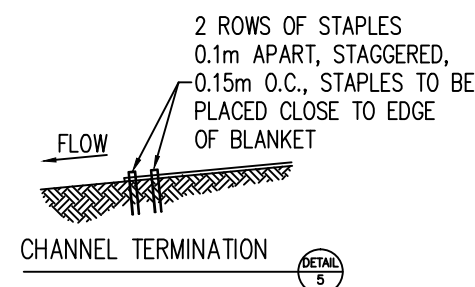
(DETAIL 2)



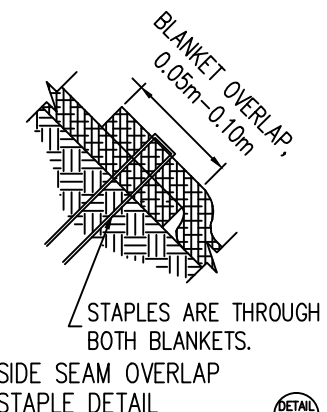
(DETAIL 3)



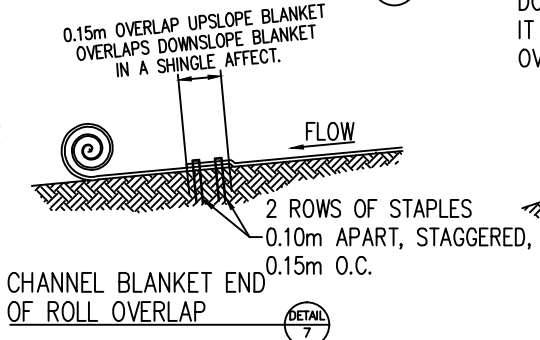
(DETAIL 4)



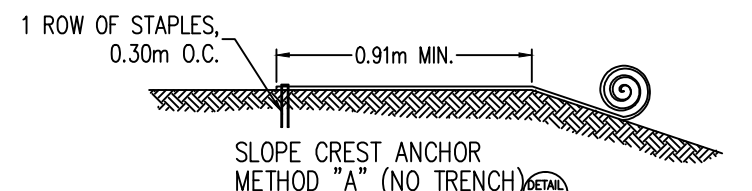
(DETAIL 5)



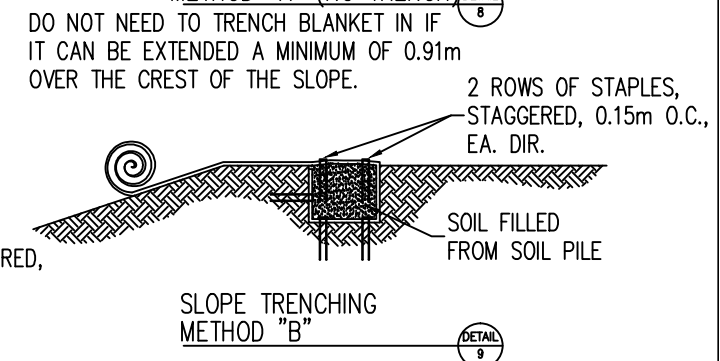
(DETAIL 6)



(DETAIL 7)



(DETAIL 8)



(DETAIL 9)

COPYRIGHT 2014, TERRAFIX GEOSYNTHETICS INC.

terrafix
geosynthetics inc.

455 Horner Avenue
Toronto, Ontario
M8W 4W9
Tel:(416) 674-0363

REVISIONS \ ISSUE

NO.	DATE	DESCRIPTION

Project Number

Date Drawn
07/18/2014

Scale
N.T.S.

Designed by

Drawn by

Checked by

SC200 B
STRAWCOCONUT - DOUBLE NET - BIODEGRADABLE

TYPICAL CHANNEL APPLICATION DETAIL

Sheet Number

1 OF 1