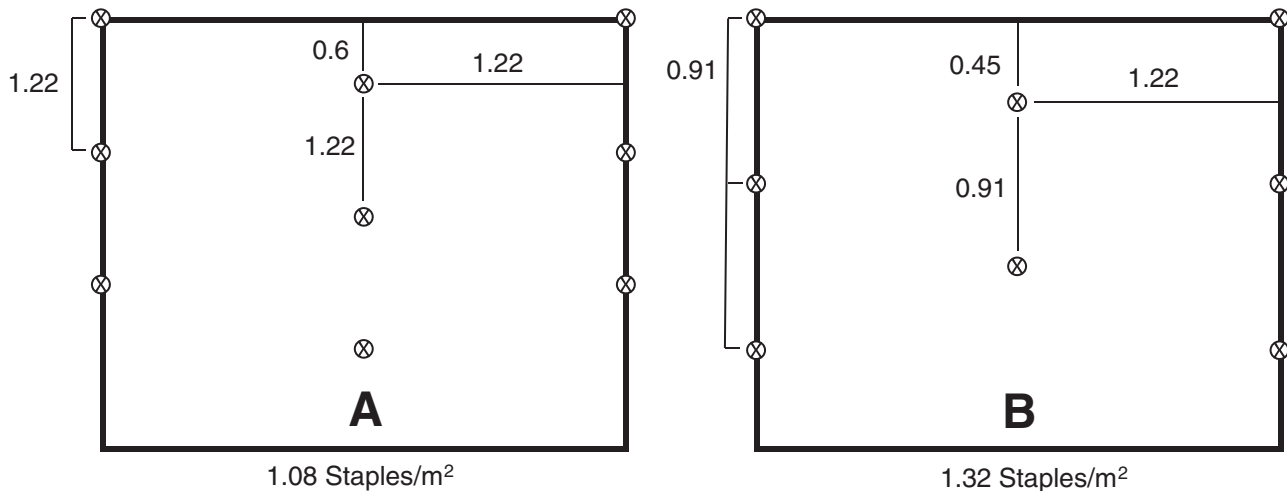


S100/S100B Staple Pattern Guide

Application	Slope		Channel
	≤ 4:1	≤ 3:1	≤ 74 Pa (1.55 lb/ft ²) Shear Stress ≤ 1.4 m/sec (4.55 ft/sec) Velocity
Staple Pattern	A	B	C

⊗ = Staple Placement



Notes:

1. Recommended staples are a minimum 4" biodegradable staple or 6" wire for cohesive soils and 6" biodegradable staple or 8" wire for non-cohesive soils.
2. For best results insert staples so heads are parallel to the flow of water.
3. Not to scale: Dimensions in metres unless otherwise noted.
4. Adjust staple pattern so staples are placed in critical channel points (e.g. slope interface, channel bottom) as illustrated below:

Critical channel points are circled.

